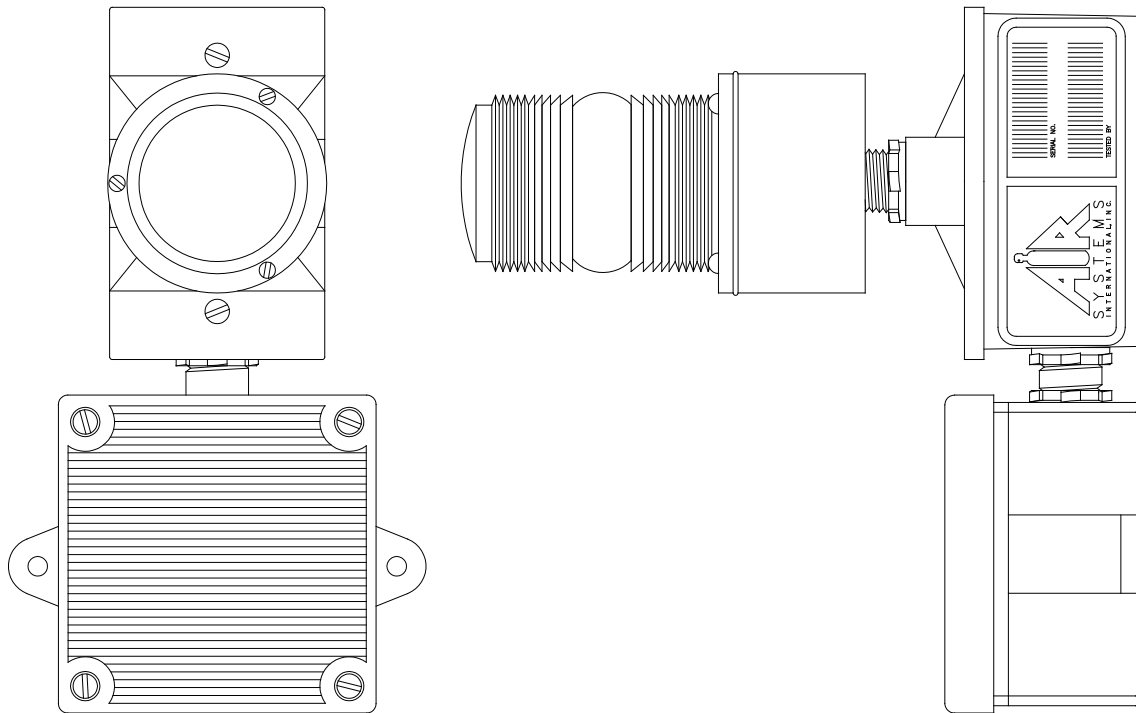




OPERATING INSTRUCTIONS AND REPLACEMENT PARTS

Model: ALMSTH120 120 VAC Remote Audible Alarm with Strobe



WARNING

This manual must be read carefully and followed by all persons who have or will have the responsibility for using or servicing this equipment. This equipment will perform as designed only if used according to the instructions. Otherwise it could fail to perform as designed, causing personal injury or death.

AIR SYSTEMS INTERNATIONAL, INC.

829 Juniper Crescent, Chesapeake, Va, 23320

Telephone (757) 424-3967

Toll Free 1-800-866-8100

Fax No. (757) 424-5348

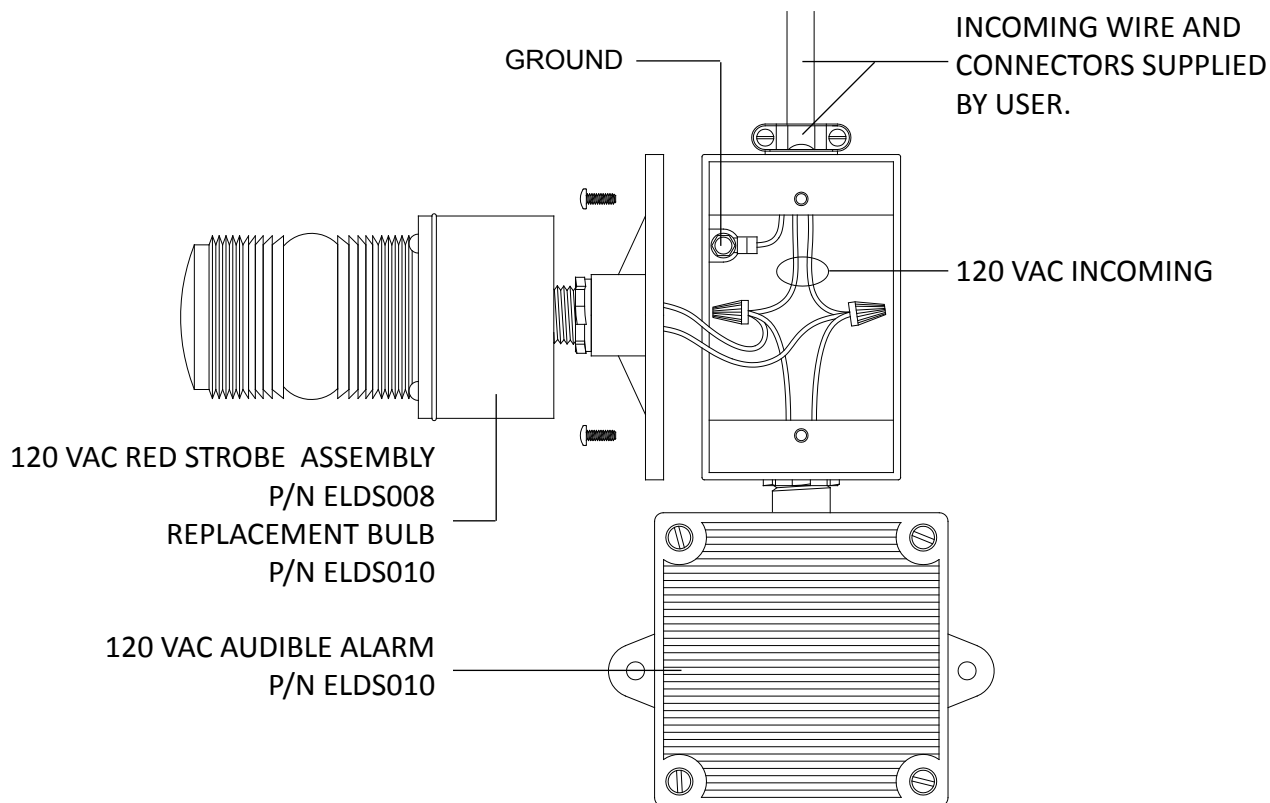
www.airsystems.com.

e-mail: sales@airsystems.com

Specifications

Explosion Proof	No
Intrinsically Safe	No
Voltage (Audible and Strobe)	120 VAC
Max. Operating Current	120 mA - 50 mA (Audible) 70 mA (Strobe)
Max. dBA at 10 ft.	88
Flash Rate	60-80 flashes per minute
Light Output	50 Effective Candlepower (ECP)
Operating Temperature	-40°F - 150°F
UL-Listed for Indoor/Outdoor Use	Yes

Set-up/Operation



STEP 1)

Mount the remote alarm in desired location and connect 120 VAC to audible alarm/strobe. Black - 120 VAC line, white - 120 VAC neutral, green - ground. Alarm is factory set at high dBA output with a continuous tone. Remove audible alarm from enclosure to set different alarm tones and to set volume at standard dBA if desired. See page 3 for alarm tone options.

NOTE: When mounting outdoors, mount in a vertical position as shown. Audible alarm cover is louvred to keep rain from entering the audible alarm enclosure.

STEP 2)

Turn on the electrical device that will be sending the 120 VAC signal to the remote alarm.

STEP 3)

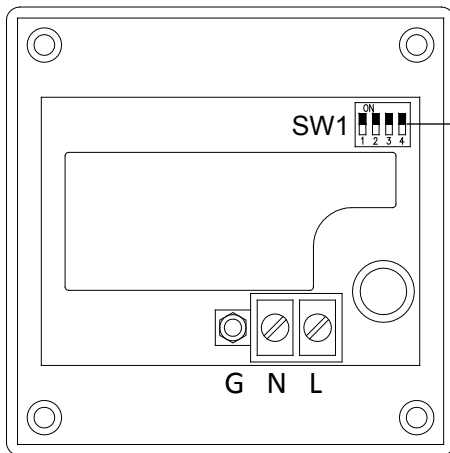
Place the electrical device in alarm mode. Audible alarm and strobe should be active. Remote alarm is now operational.

Alarm Tones

Tone	Pattern Description	SW1		
		Switch Settings		
		Position	Position	Position
		2	3	4
Horn	Continuous (Factory Setting)	1	1	1
Bell	1560 Hz Modulated (.07 Sec. ON/Repeat)	1	0	1
March Time Horn	Horn (.25 Sec. ON/.25 Sec. OFF/Repeat)	0	0	1
Code-3 Horn	Horn (ANSI S3.41 Temporal Pattern)	1	1	0
Code-3 Tone	500 Hz (ANSI S3.41 Temporal Pattern)	0	1	1
Slow Whoop	500-1200 Hz Sweep 4 Sec. ON/.5 Sec. OFF/Repeat)	0	1	0
Siren	600-1200 Hz Sweep (1 Sec. ON/Repeat)	1	0	0
HI/LO	1000/800 Hz (.25 Sec. ON/Alternate)	0	0	0

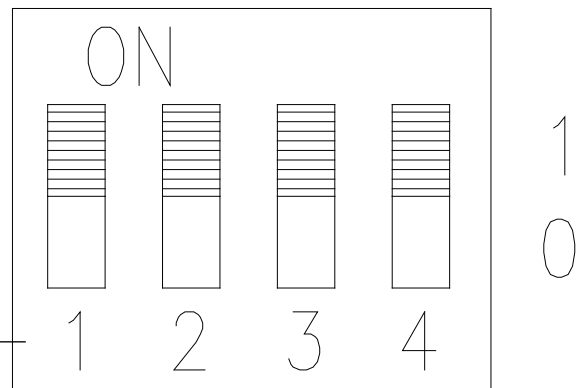
dBA Sound Output Level Settings

Decibel Level (dBA)	SW1 Switch Settings (POS1)
High dBA	1 (Factory Setting)
Standard dBA	0



OUTPUT LEVEL/
TONE SELECTOR
SWITCH

POSITIONS



Back of audible alarm when
removed from alarm enclosure.

dBA Ratings for Audible Alarm

Tone	dBA Reverberant at 10 Ft.	
	HI	STD
Horn	88	82
Bell	82	75
March Time Horn	85	79
Code-3 Horn	85	75
Code-3 Tone	79	75
Slow Whoop	88	82
Siren	85	82
HI/LO	82	79

Warranty

normal use for one year from the date of purchase. Any part which is determined by Air Systems to be defective in material or workmanship will be, as the exclusive remedy, repaired or replaced at Air Systems' option. This warranty does not apply to electrical systems or electronic components. Electrical parts are warranted, to the original user, for 90 days from the date of sale. During the warranty period, electrical components will be repaired or replaced at Air Systems' option.

NO OTHER WARRANTY, EXPRESSED OR IMPLIED, AS TO DESCRIPTION, QUALITY, MERCHANTABILITY, FITNESS FOR A PARTICULAR PURPOSE, OR ANY OTHER MATTER IS GIVEN BY AIR SYSTEMS IN CONNECTION HERewith. UNDER NO CIRCUMSTANCES SHALL THE SELLER BE LIABLE FOR LOSS OF PROFITS, ANY OTHER DIRECT OR INDIRECT COSTS, EXPENSES, LOSSES, OR DAMAGES ARISING OUT OF DEFECTS IN, OR FAILURE OF THE PRODUCT OR ANY PART THEREOF.

The purchaser shall be solely responsible for compliance with all applicable Federal, State and Local OSHA and/or MSHA requirements. Although Air Systems International believes that its products, if operated and maintained as shipped from the factory and in accordance with our "operations manual", conform to OSHA and/or MSHA requirements, there are no implied or expressed warranties of such compliance extending beyond the limited warranty described herein. Product designs and specifications are subject to change without notice. Rev. 2, 12/98

Air leaks are not covered under warranty except when they result from a defective system component, i.e. an on/off valve or regulator or upon initial delivery due to poor workmanship. Air leaks due to poor delivery or damage will be covered under delivery claims. Minor air leaks are part of routine service and maintenance and are the responsibility of the customer just as are filters and oil changes.