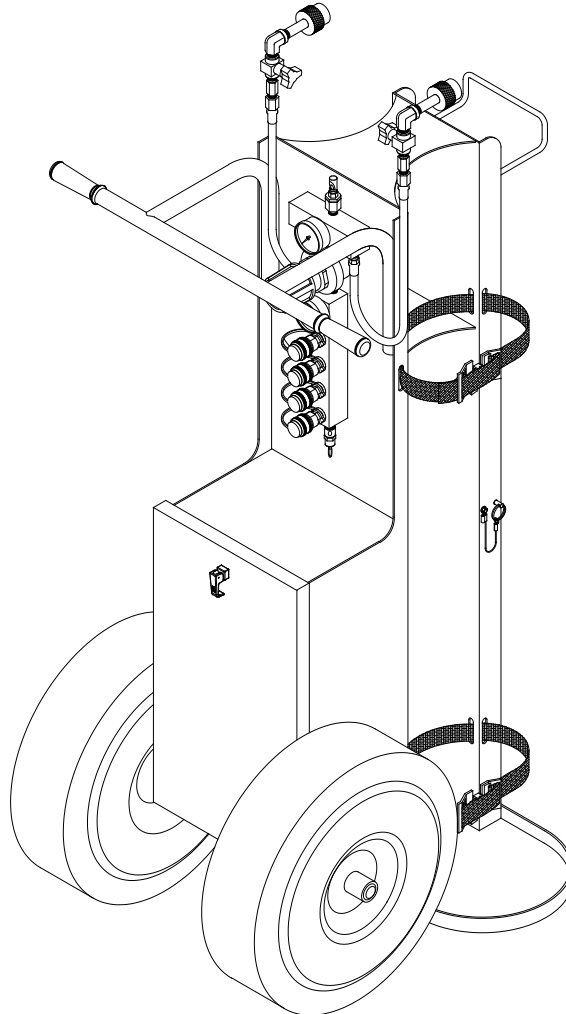




OPERATING INSTRUCTIONS AND REPLACEMENT PARTS

Models: MP-2300ENB and MP-2300ECY



WARNING

This manual must be read carefully and followed by all persons who have or will have the responsibility for using or servicing this equipment. This equipment will perform as designed only if used according to the instructions. Otherwise it could fail to perform as designed, causing personal injury or death.

AIR SYSTEMS INTERNATIONAL, INC.

829 Juniper Crescent, Chesapeake, Va, 23320

Telephone (757) 424-3967

Toll Free 1-800-866-8100

Fax No. (757) 424-5348

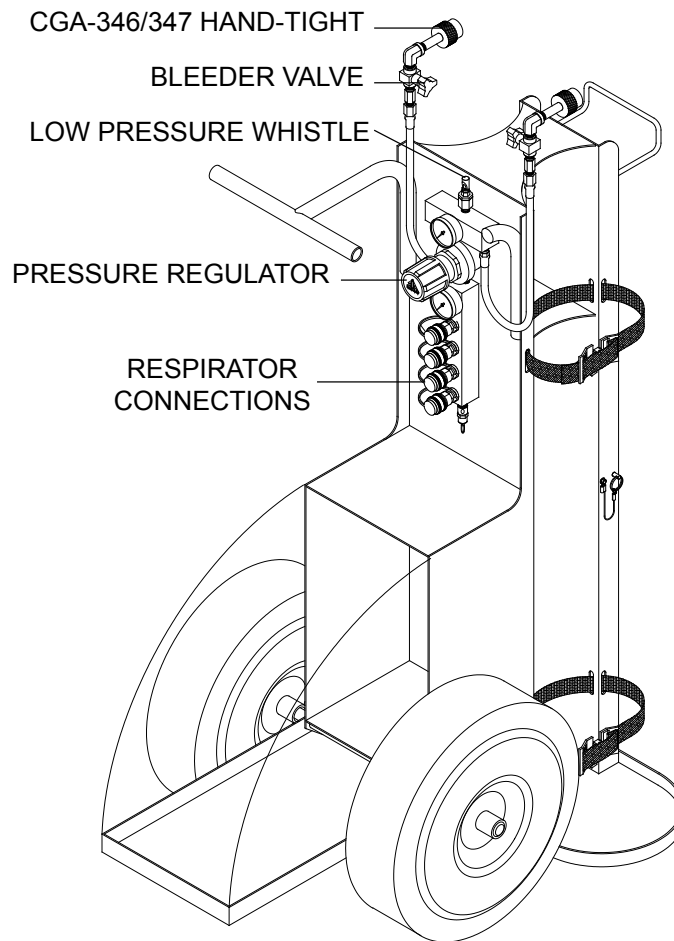
www.airsystems.com.

e-mail: sales@airsystems.com

Specifications

Dimensions	48"H x 25"W x 31"D
Weight (w/o cylinders)	120 lbs.
Frame	Powder Coated Steel
Cylinder Straps	Four Adjustable Nylon Straps
Whip Assemblies	5000 PSI Rated Thermo-Plastic Hose with a 4:1 Safety Factor
Check Valves	Stainless Steel, 1 per Whip Assembly
Low Pressure Whistle	Set @ approximately 500 PSI
Pressure Regulator	5500 PSI Max. Inlet Pressure 125 PSI Max. Outlet Pressure
Relief Valve	ASME, preset @ 125 PSI
Intrinsically Safe	Yes, no electronic devices
Cylinders	(2) 444 cu. ft. 4500 PSI cylinders (P/N AC-444) included with Model MP-2300ECY only!

Set-up/Operation



STEP 1)

Place cylinders on cart and secure by tightening straps at the buckle. Mate the hook and loop sections to prevent slipping.

STEP 2)

Install the CGA-346/347 universal hand-tight nuts to the cylinder valves and tighten. Close the bleeder valves by turning knobs clockwise.

STEP 3)

Open cylinder valve(s). Whistle will sound until approximately 1000 PSI.

STEP 4)

Adjust regulator to desired output pressure by turning regulator knob clockwise to increase pressure or counterclockwise to decrease.

STEP 5)

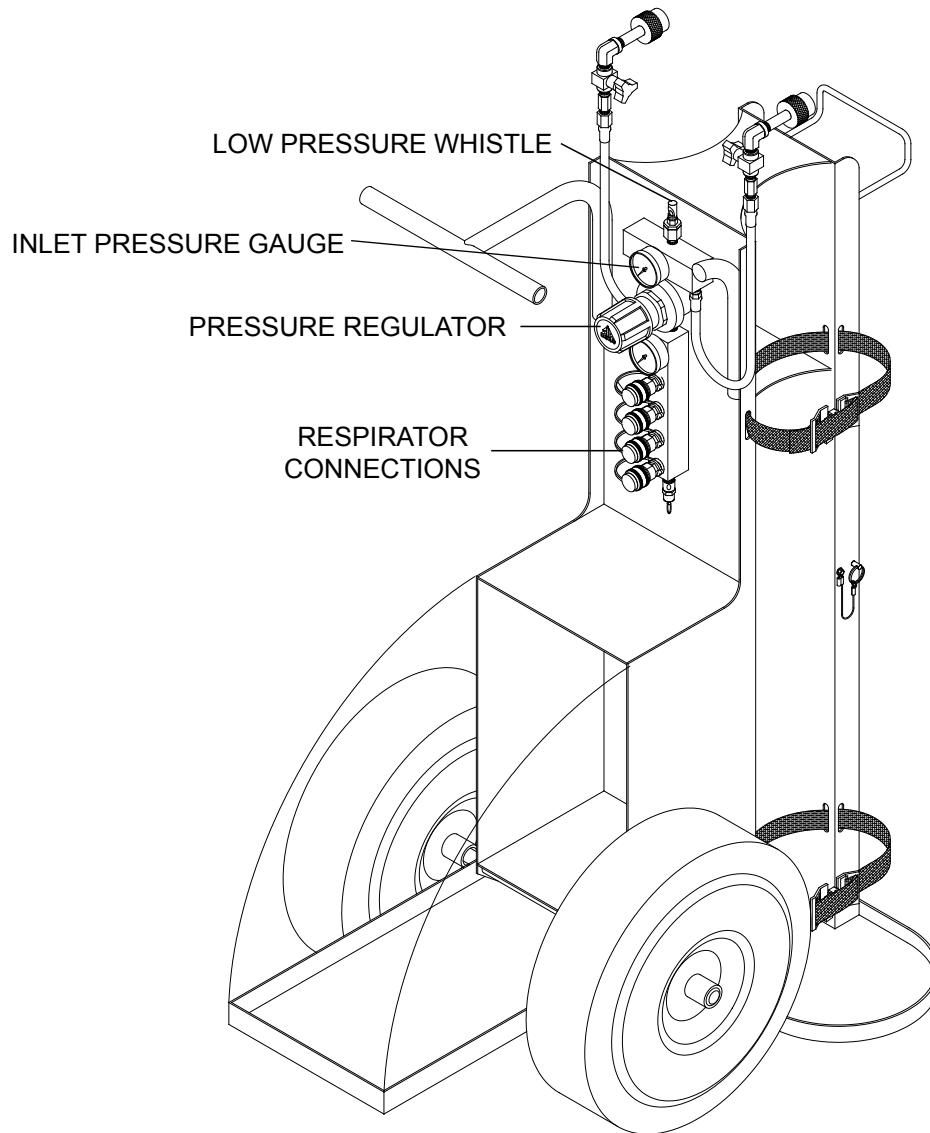
Connect hose(s) and respirator(s) to the respirator connections.

STEP 6)

Readjust pressure regulator if necessary.

Note: The whip assemblies are equipped with check valves that prevent backflow from the opposing cylinder. This also allows a cylinder to be replaced while the other cylinder is in use so workers can continue their duties uninterrupted.

Low Pressure Alarm Test



STEP 1)

Open one cylinder valve.

STEP 2)

Set the required outlet pressure by turning the regulator knob clockwise to increase pressure or counterclockwise to decrease.

STEP 3)

Close the cylinder valve by turning the knob fully clockwise.

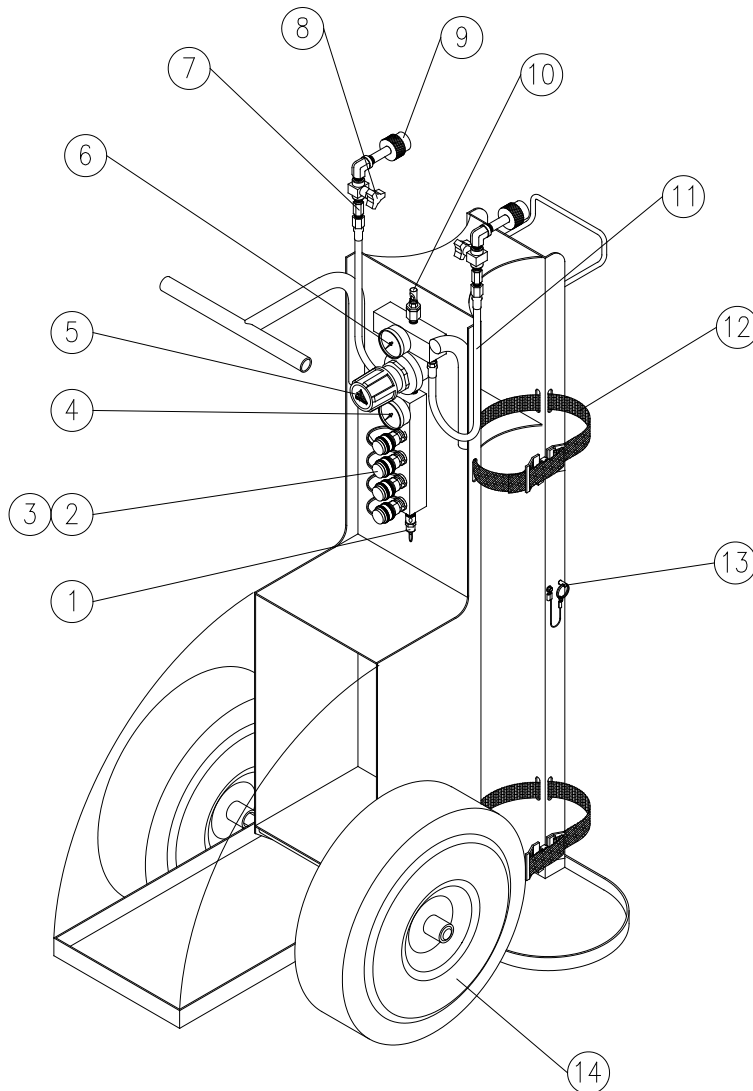
STEP 4)

Partially engage a plug into one of the respirator connections while viewing the inlet pressure gauge. As pressure drops to approximately 500 PSI, the low pressure whistle will begin to sound.

STEP 5)

When test is complete, open the regulator ON/OFF valve.

Replacement Parts



ITEM #	DESCRIPTION	PART #
1	ASME RELIEF VALVE PRESET @ 125 PSI	VR4125BR
2	HANSEN COUPLING	QDH3SL4M
2A	SCHRADER COUPLING	QDSSL4M
3	HANSEN DUST CAP	QDH3DCAP
3A	SCHRADER DUST CAP	QDSDCAP
4	OUTLET PRESSURE GAUGE	GA20160B
5	PRESSURE REGULATOR, NO GAUGES	REG-5000NG
6	INLET PRESSURE GAUGE	GA2075KB
7	CHECK VALVE	VC4SMMSS
8	BLEEDER VALVE	VAL030
9	CGA-346/347 HAND-TIGHT	SS347HT
10	LOW PRESSURE WHISTLE	AC-PA25
11	WHIP ASSEMBLY, 1/4" MPT X 1/4" FPT	MP-23WHIP
12	CYLINDER STRAP	HDWR113B
13	PULL PIN	HDWR114
14	16" PNEUMATIC WHEEL	HDWR120

Warranty

Air Systems' manufactured equipment is warranted to the original user against defects in workmanship or materials under normal use for one year from the date of purchase. Any part which is determined by Air Systems to be defective in material or workmanship will be, as the exclusive remedy, repaired or replaced at Air Systems' option. This warranty does not apply to electrical systems or electronic components. Electrical parts are warranted, to the original user, for 90 days from the date of sale. During the warranty period, electrical components will be repaired or replaced at Air Systems' option.

NO OTHER WARRANTY, EXPRESSED OR IMPLIED, AS TO DESCRIPTION, QUALITY, MERCHANTABILITY, FITNESS FOR A PARTICULAR PURPOSE, OR ANY OTHER MATTER IS GIVEN BY AIR SYSTEMS IN CONNECTION HEREWITH. UNDER NO CIRCUMSTANCES SHALL THE SELLER BE LIABLE FOR LOSS OF PROFITS, ANY OTHER DIRECT OR INDIRECT COSTS, EXPENSES, LOSSES, OR DAMAGES ARISING OUT OF DEFECTS IN, OR FAILURE OF THE PRODUCT OR ANY PART THEREOF.

The purchaser shall be solely responsible for compliance with all applicable Federal, State and Local OSHA and/or MSHA requirements. Although Air Systems International believes that its products, if operated and maintained as shipped from the factory and in accordance with our "operations manual", conform to OSHA and/or MSHA requirements, there are no implied or expressed warranties of such compliance extending beyond the limited warranty described herein. Product designs and specifications are subject to change without notice. Rev. 2, 12/98

Air leaks are not covered under warranty except when they result from a defective system component, i.e. an on/off valve or regulator or upon initial delivery due to poor workmanship. Air leaks due to poor delivery or damage will be covered under delivery claims. Minor air leaks are part of routine service and maintenance and are the responsibility of the customer just as are filters and oil changes.

